

Specification

LED TRI-PROOF LIGHTS

- 1.Led linear high bay light up to 110lm/w at milky cover
- 2.High CRI of Ra80-85
- 3.External driver, CE RoHS certificate, PF>0.9, THD<12
- 4.Flicker free by camera
- 5.Led linear light are environmentally friendly, no mercury, No UV, No IR
- 6.IP65, indoor and outdoor using
- 7.Energy Efficiency Grade: A++
- 8.Ajamlight linear light : 5-year-warranty
- 9.Quick Start instant 100% luminous flux



Specification

- Solid State Lighting
- Green
- High efficiency
- Energy saving
- Long lifespan

| | |
|---------|----------------|
| Item NO | DL-LP-1500-L06 |
|---------|----------------|

Advantages of NGE Linear LED High Bay Light



Samsung 5630 G2 LED
Ra>80, LM80 certificated



Meanwell HLG series driver
7 years warranty, IP65

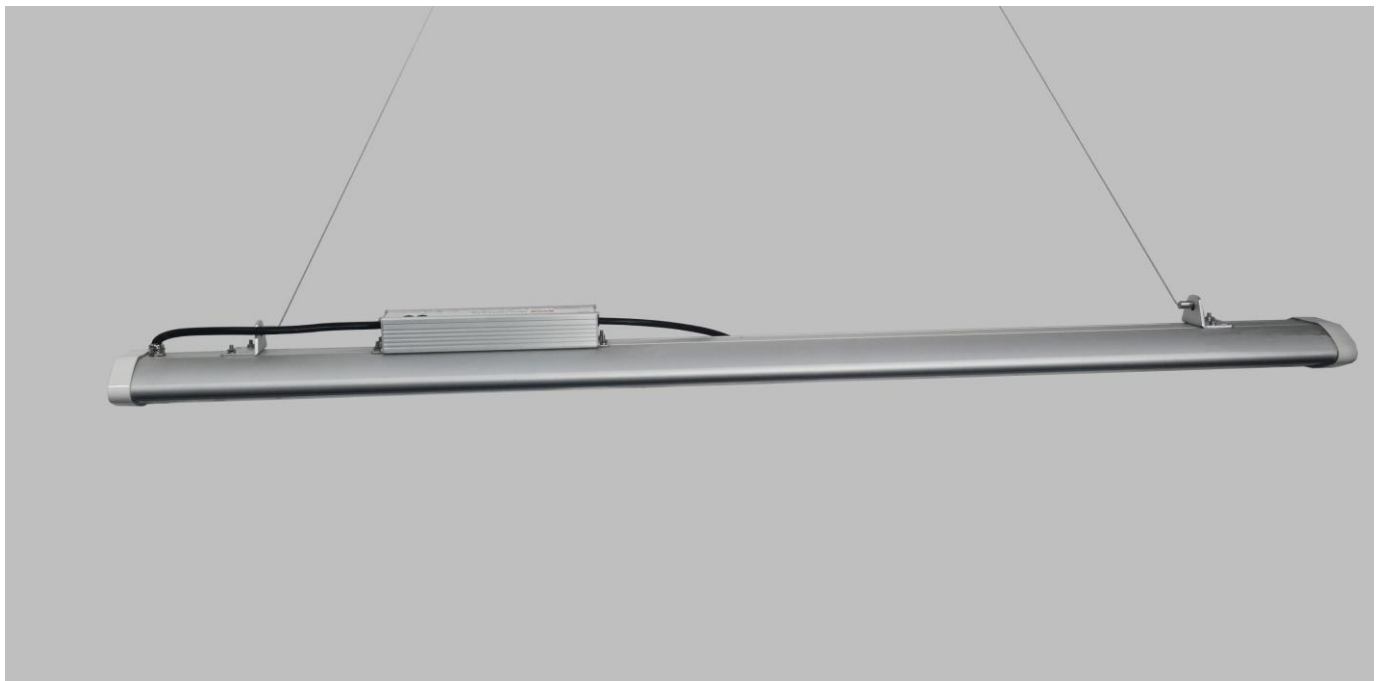


Aluminum housing and large PCB
better heat dissipation



DILU Technology Co.,Ltd

Specification

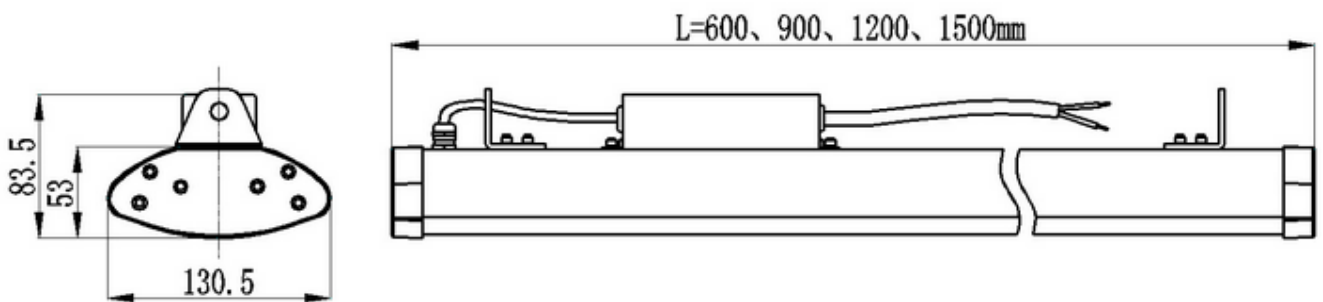


Specification

Product Structure

Aluminum Alloy Lamp Shade

Unit: mm tolerance: $\pm 0.2\text{mm}$



DILU Technology Co.,Ltd

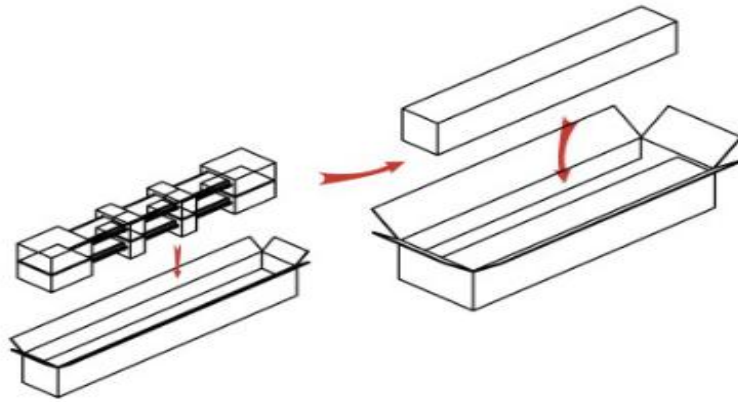
Specification

Product Specification

| Item No. | DL-LP-1500-L06 | DL-LP-1200-L06-1 | DL-LP-900-L06 | DL-LP-600-L06 |
|------------------------|---|---|---|---|
| Dimension | 1500*130*83 mm | 1200*130*83 mm | 900*130*83 mm | 1500*130*83 mm |
| Power | 200W | 100W/150W | 80W | 60W |
| Product Color | Silver | Silver | Silver | Silver |
| Luminous flux | 22000-22500LM | 11000-15500LM 16500-17250LM | 8800-9200LM | 6600-6900LM |
| Lamp efficiency | 110-115m/w | 110-115m/w | 110-115m/w | 110-115m/w |
| Light source | Samsung 5630 G2 | Samsung 5630 G2 | Samsung 5630 G2 | Samsung 5630 G2 |
| Light degradation rate | 25000h ≤ 30% | 25000h ≤ 30% | 25000h ≤ 30% | 25000h ≤ 30% |
| Color rendering index | Ra>80 | Ra>80 | Ra>80 | Ra>80 |
| Power factor | PF≥0.95 | PF≥0.95 | PF≥0.95 | PF≥0.95 |
| Driver Brand | Meanwell HLG Series | Meanwell HLG Series | Meanwell HLG Series | Meanwell HLG Series |
| Beam angle | 120° | 120° | 120° | 120° |
| Rated life | ≥50000h | ≥50000h | ≥50000h | ≥50000h |
| Color temperature | 2700K-3200K 4000K-4500K 6000K-6500K | 2700K-3200K 4000K-4500K 6000K-6500K | 2700K-3200K 4000K-4500K 6000K-6500K | 2700K-3200K 4000K-4500K 6000K-6500K |
| Working temperature | -30~+60 ℃ | -30~+60 ℃ | -30~+60 ℃ | -30~+60 ℃ |
| Input wattage | AC100-240V | AC100-240V | AC100-240V | AC100-240V |
| IP code | IP65 | IP65 | IP65 | IP65 |
| Maerial | Aluminium +PC | Aluminium +PC | Aluminium +PC | Aluminium +PC |
| Warranty | 5 years | 5 years | 5 years | 5 years |
| Certificate | CE, ROHS, | CE, ROHS, | CE, ROHS, | CE, ROHS, |
| Application | Working shop,Industry area, Bus station etc | Working shop,Industry area, Bus station etc | Working shop,Industry area, Bus station etc | Working shop,Industry area, Bus station etc |

DILU Technology Co.,Ltd

Specification



| Item No. | Quantity/Carton | Net weight/Pcs | Gross Weight/ Carton | Carton Size | Notes |
|----------------|-----------------|----------------|----------------------|----------------|---|
| DL-LP-600-L06 | 2 | 2.2 | | 660*220*220mm | Each light packed by one PE bag, and use one EPE foam box in each carton. |
| DL-LP-900-L06 | 2 | 3.1 | | 960*220*220mm | |
| DL-LP-1200-L06 | 2 | 3.7 | | 1260*220*220mm | |
| DL-LP-1500-L06 | 2 | 4.8 | | 1560*220*220mm | |

Specification

Note:

4, Assemble and install the hoisting accessories

5, Install the other end of the wire

6, Accessories stock into the lamp, tighten up the nut and lead-screw and then hang over the lamp .

1, Fix the plug bolt in the ceiling

2, Connect the lamp with plug bolt and tighten up the nut and the lead-screw.

1) System input voltage AC100-AC240V, must be installed by professional electrician,

Closing the wiring place to avoid leak electricity when install the lamp.

2) Please connect the power supply into the 3X1MM2 three-core cable; connection mode:

Brown wire is the live wire, blue wire is the null wire, yellow wire is the earth wire.

3) Can not violate any rule of fire prevention when use the lamp .

4) Expansion bolts and installation environment must be able to sustain quadruple weight of the lamp .



DILU Technology Co.,Ltd

Specification

